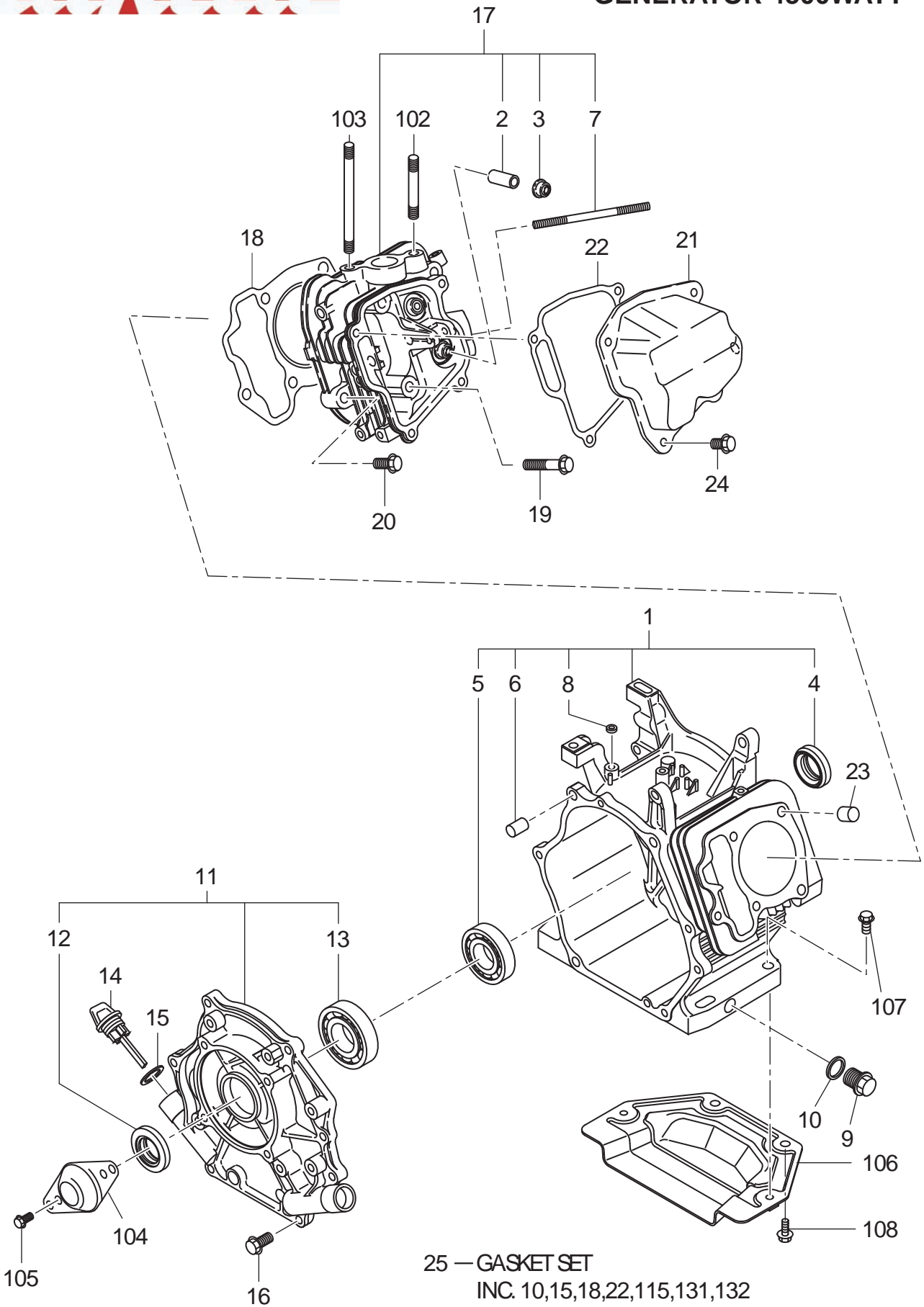


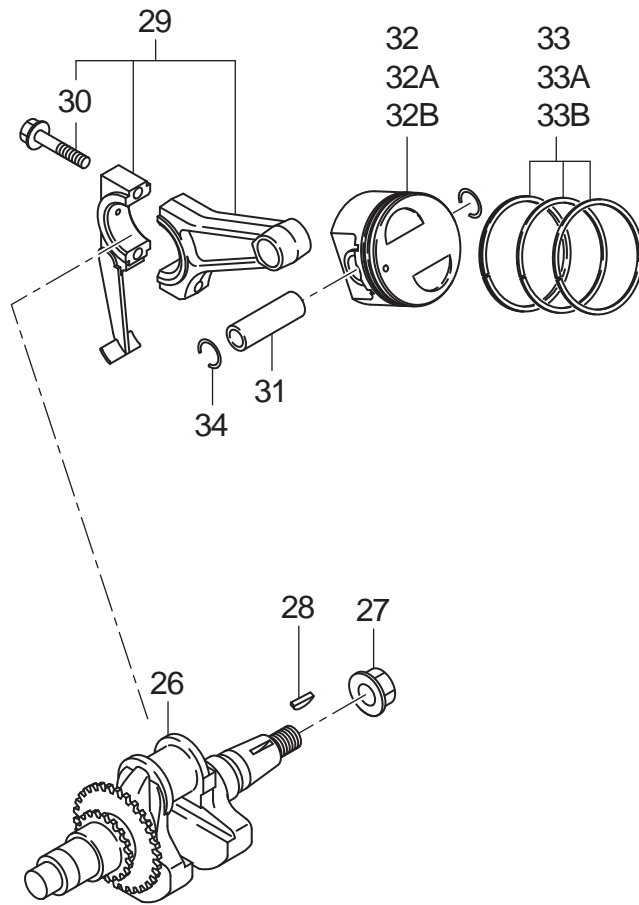


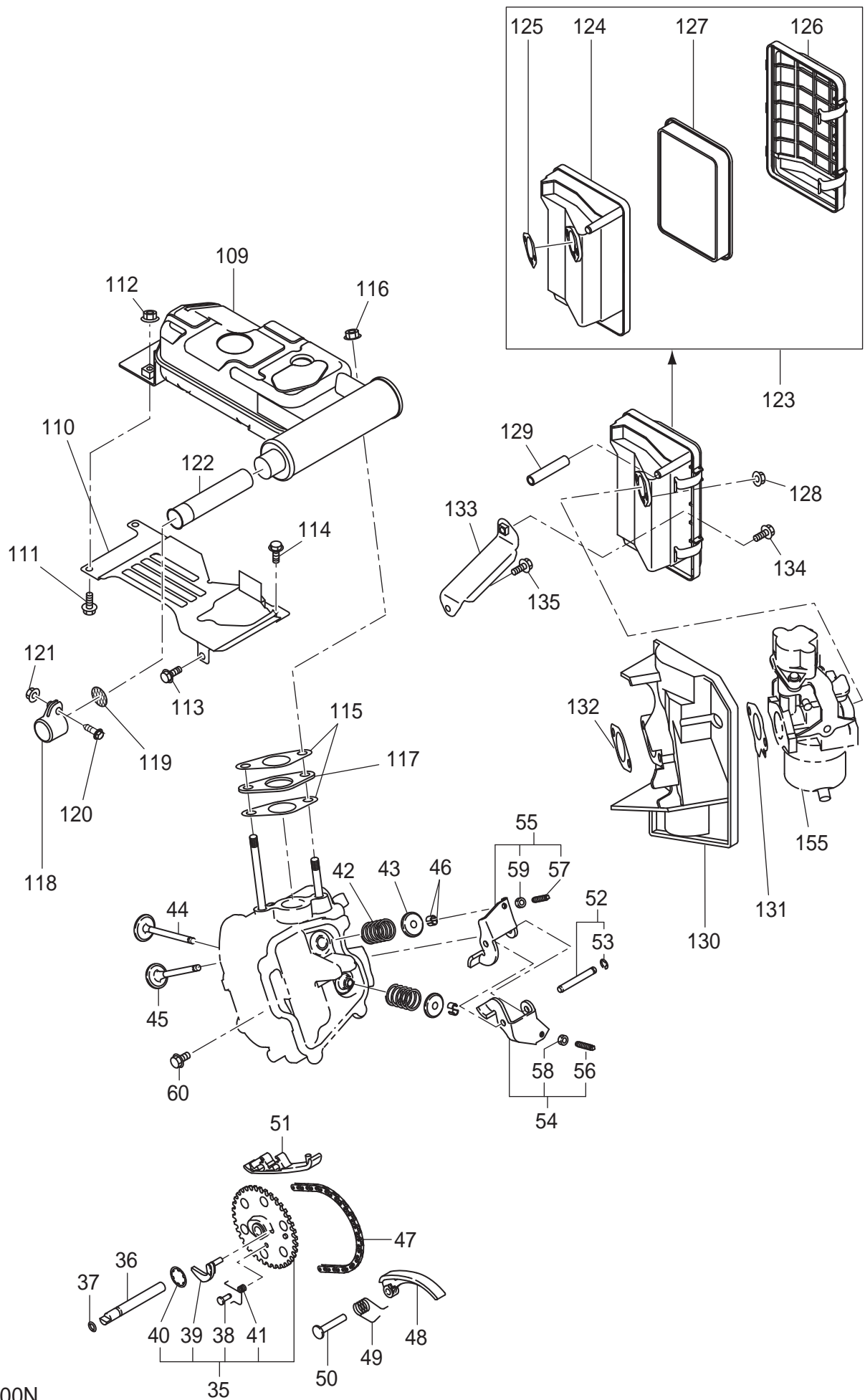
11 - 2010

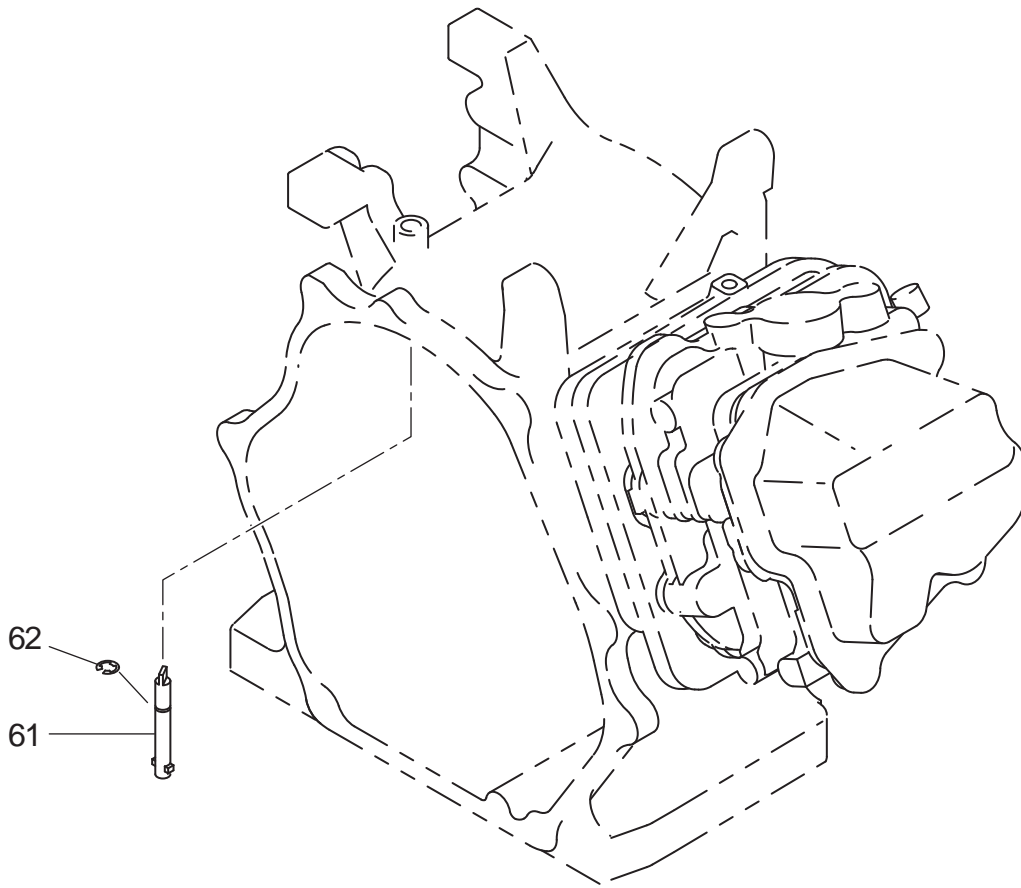
G4300N

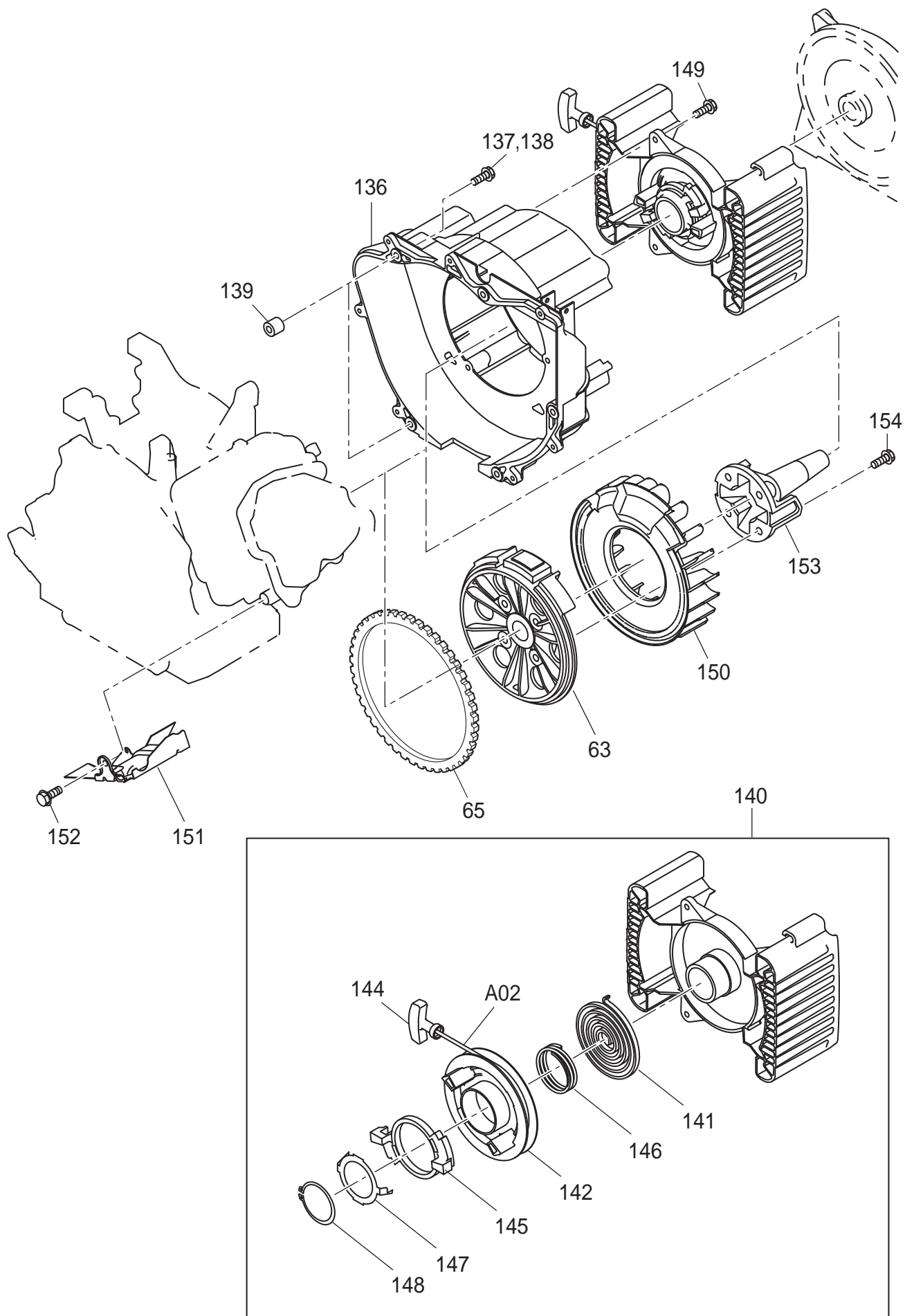
GENERATOR 4300WATT

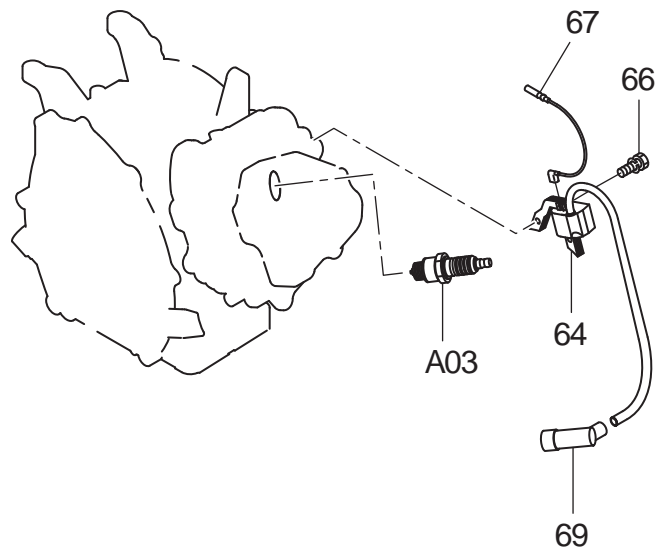


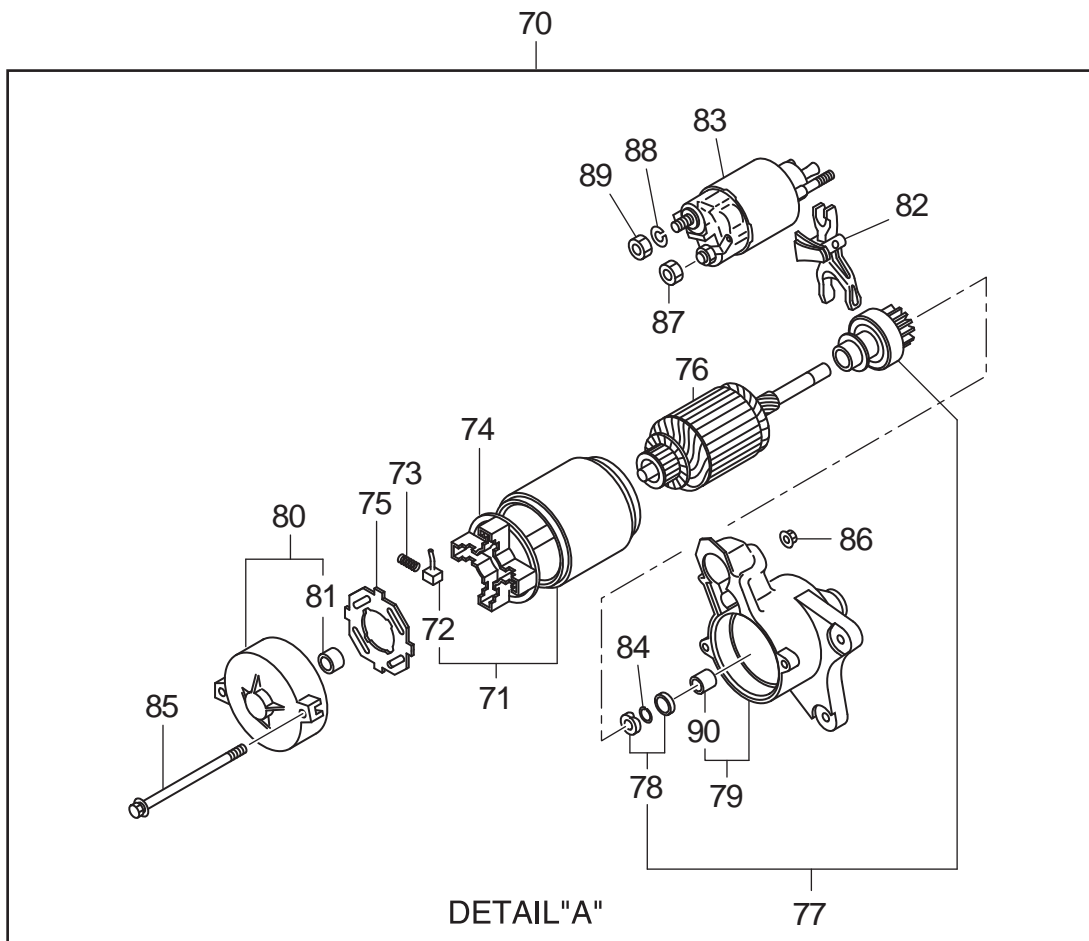
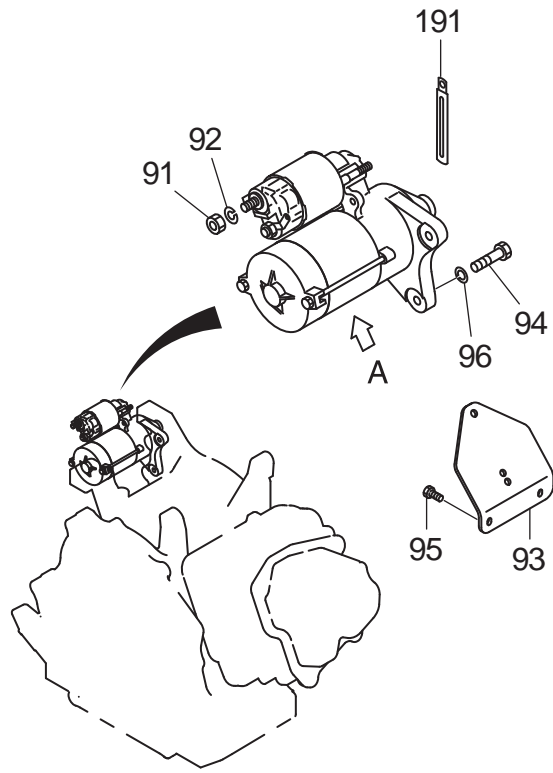


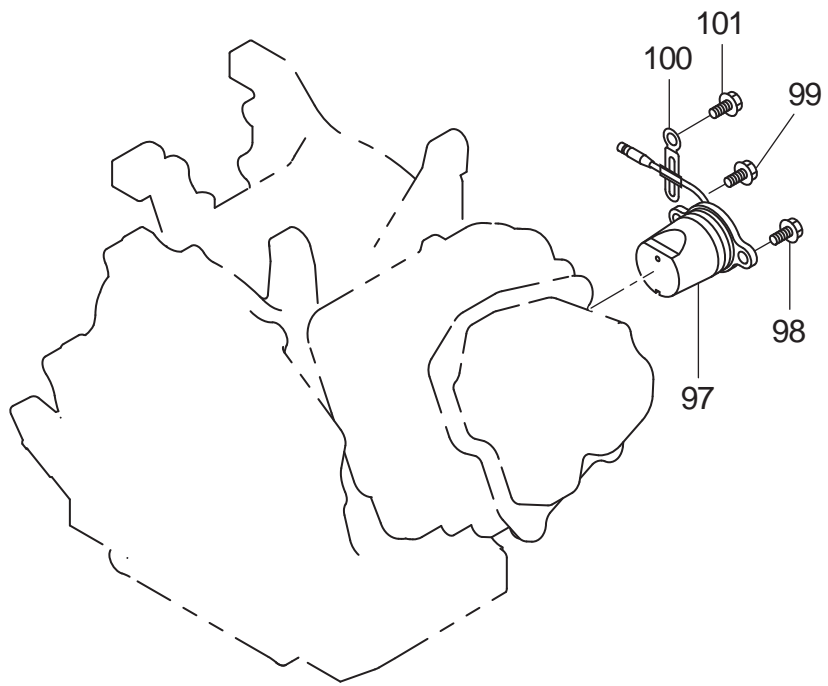


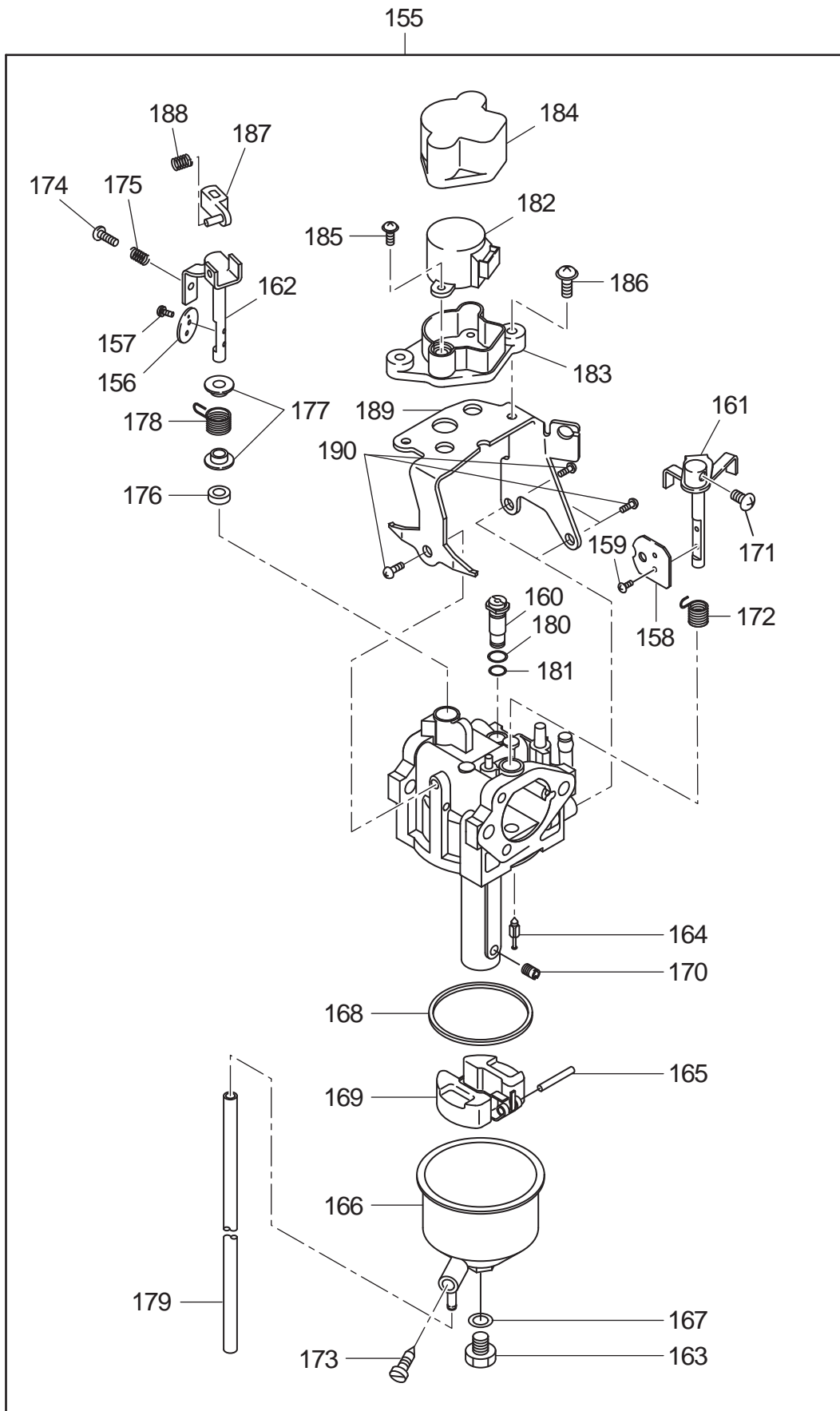


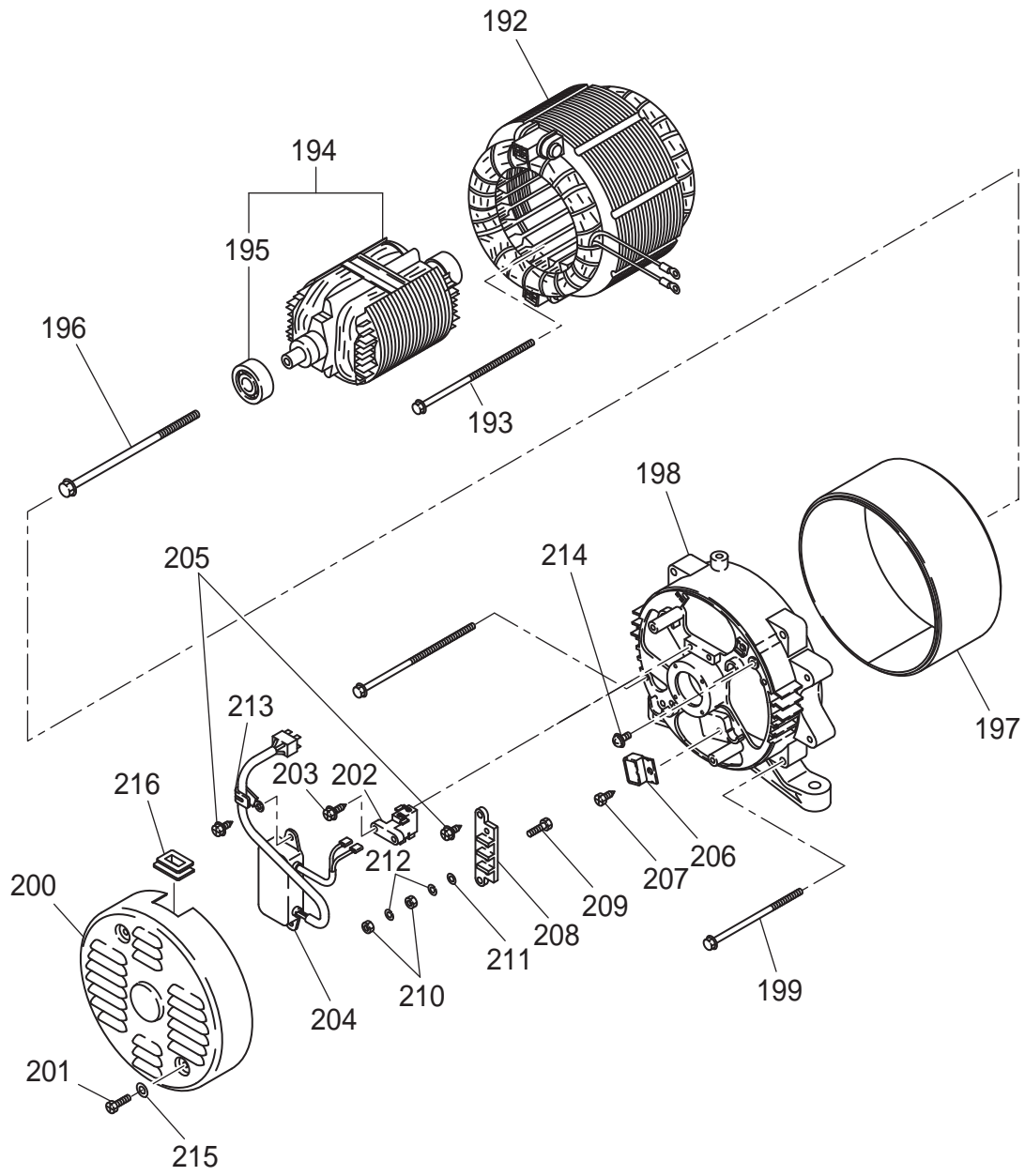


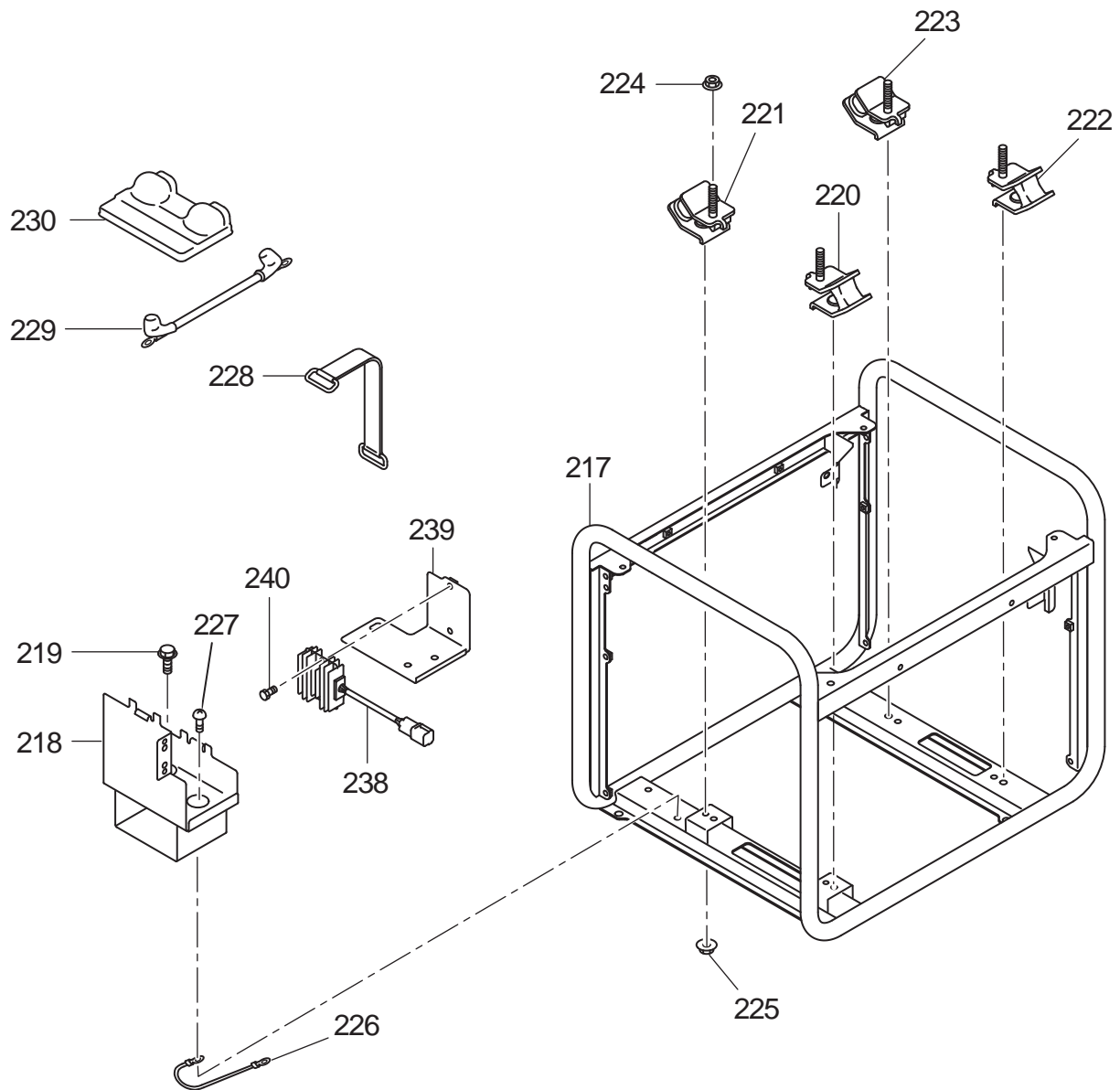


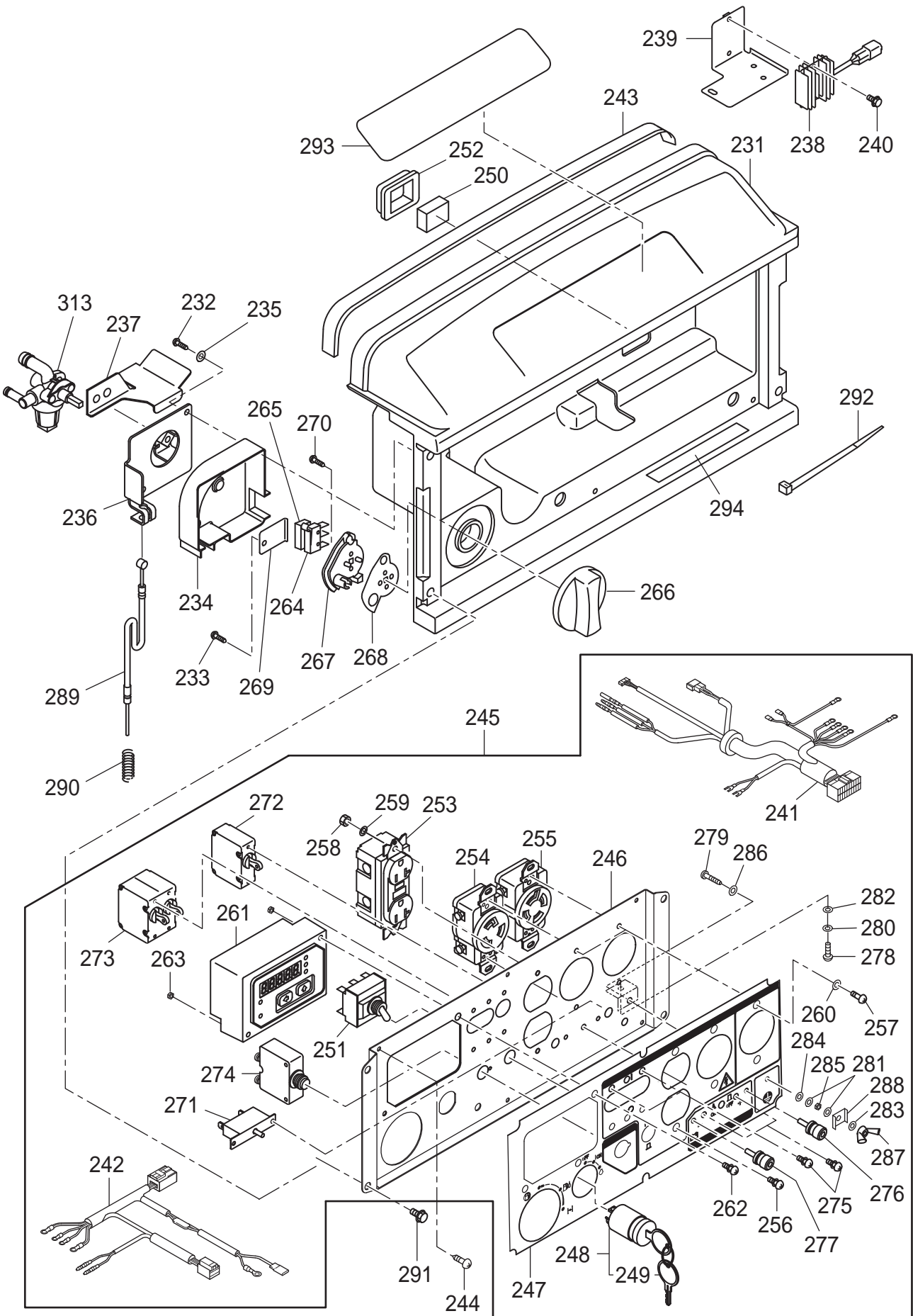


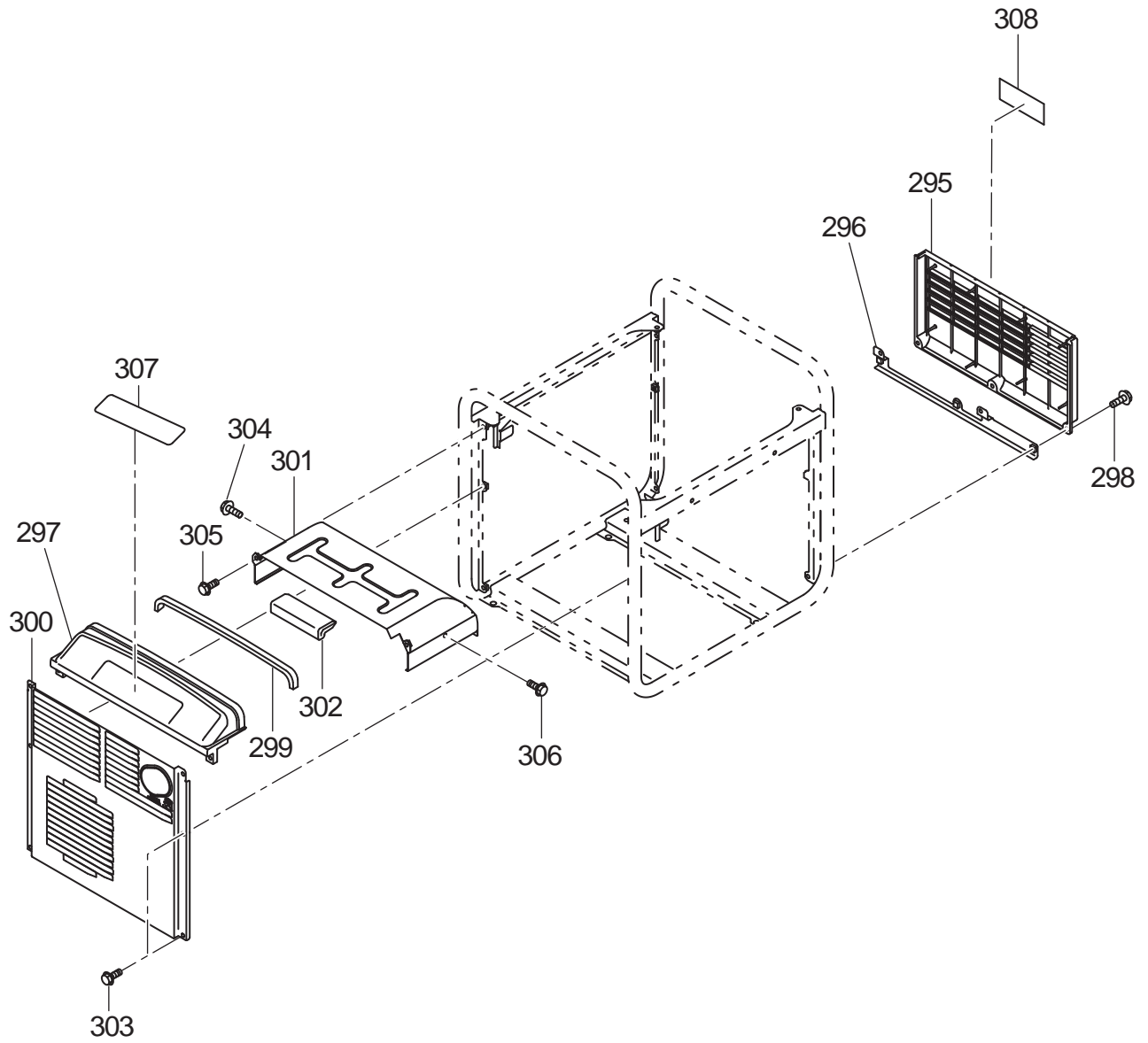


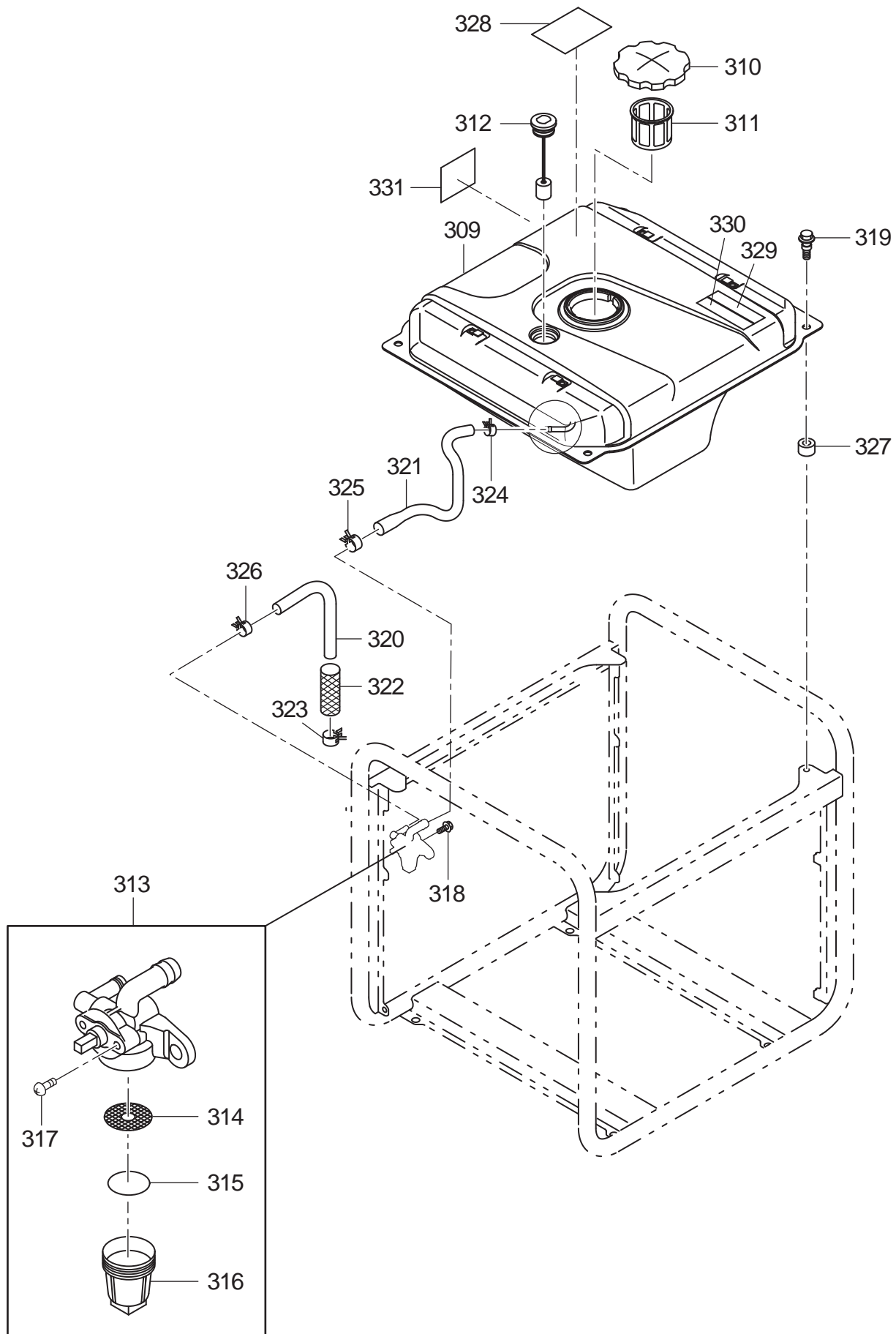












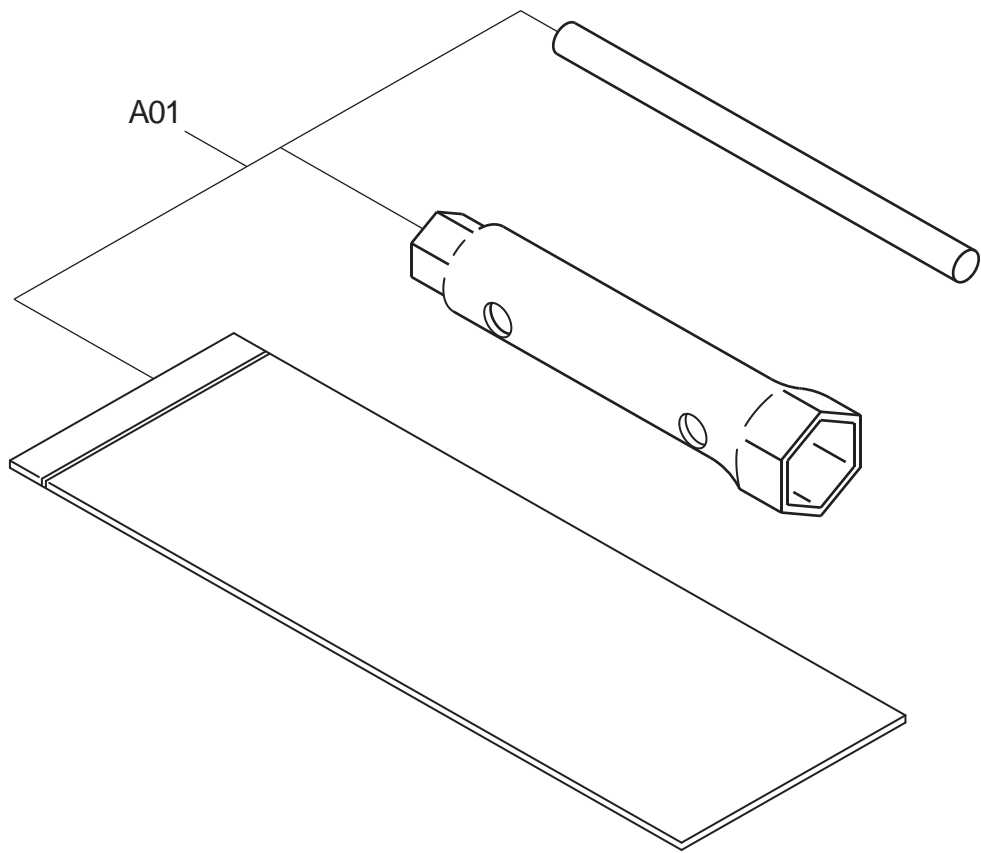


Diagram								
Page No.	Item No.	Type	Sub	Part No.	Description (* See Service Changes on the bottom)	Qty	Unit	
1	1			279-10102-51	CRANK CASE COMPLETE	1	PC.	
1			INC.		Item No.4-6,8			
1	2			237-14202-03	VALVE GUIDE	2	PC.	
1	3			277-16010-01	STEM SEAL	1	PC.	
1	4			044-03001-60	OIL SEAL 30DX45DX7B	1	PC.	
1	5			060-03003-41	BALL BEARING 6206 30DX62DX16B	1	PC.	
1	6			277-15011-03	PIPE KNOCK 10.3DX8.5DX14L	2	PC.	
1	7			010-50604-10	STUD M6X1.0X107L	2	PC.	
1	8			044-00600-20	OIL SEAL 6DX10DX2.5B	1	PC.	
1	9			040-11400-30	PLUG	2	PC.	
1	10			021-11400-20	GASKET	2	PC.	
1	11			279-11001-21	MAIN BEARING COVER COMPLETE	1	PC.	
1			INC.		Item No.12,13			
1	12			044-03001-60	OIL SEAL 30DX45DX7B	1	PC.	
1	13			060-03003-70	BALL BEARING 6206 30DX62DX16B	1	PC.	
1	14	1		279-63601-13	OIL GAUGE - N/L/A	2	PC.	
1		2		279-63601-23	OIL GAUGE	2	PC.	
1	15			021-32000-50	GASKET	2	PC.	
1	16			001-04083-50	FLANGE BOLT	7	PC.	
1	17			279-13005-01	CYLINDER HEAD COMPLETE	1	PC.	
1			INC.		Item No. 2,3,7,102,103			
1	18			279-15001-33	GASKET (HEAD)	1	PC.	
1	19			011-00802-40	FLANGE BOLT M8X1.25X16DX68L	4	PC.	
1	20			011-00803-10	FLANGE BOLT M8X33L	1	PC.	
1	21	1		277-15501-01	ROCKER COVER COM	1	PC.	
1		2		277-15503-01	ROCKER COVER COM	1	PC.	
1	22			277-16001-13	GASKET(ROCKER COVER)	1	PC.	
1	23			277-15011-03	PIPE KNOCK 10.3DX8.5DX14L	2	PC.	
1	24			011-00600-20	FLANGE BOLT M6X1.0X14DX12L	4	PC.	
1	25			279-99001-07	GASKET SET	1	PC.	
			INC.		Item No.10,15,18,22,115,131,132			
2	26			279-20501-01	CRANKSHAFT COMPLETE	1	PC.	
2	27			018-01800-10	FLANGE NUT M18X15X31DX14H	1	PC.	
2	28			032-30300-10	WOODRUFF KEY	1	PC.	
2	29	1		279-22501-20	CONNECTING ROD ASSY - N/L/A	1	PC.	
2			INC.		Item No.30			
2		2		279-22501-30	CONNECTING ROD ASSY	1	PC.	
2			INC.		Item No.30			
2	30			279-23001-03	CONNECTING ROD BOLT M7X1X13.8D	2	PC.	
2	31			279-23301-03	PISTON PIN 18DX13DX53L	1	PC.	
2	32			279-23401-H3	PISTON STANDARD	1	PC.	
2	032A			279-23403-H3	PISTON 0.25 OVER SIZE	1	PC.	
2	032B			279-23404-H3	PISTON 0.50 OVER SIZE	1	PC.	
2	33			279-23511-17	PISTON RING SET STANDARD	1	PC.	
2	033A			279-23512-17	PISTON RING SET 0.25 OVER SIZE	1	PC.	
2	033B			279-23513-17	PISTON RING SET 0.50 OVER SIZE	1	PC.	
2	34			056-51800-10	CLIP	2	PC.	
3	35	1		279-31602-11	CAM SHAFT COMPLETE - N/L/A	1	PC.	
3			INC.		Item No.38-41			
3		2		279-31602-21	CAM SHAFT COMPLETE	1	PC.	
3			INC.		Item No.38-41			
3	36	1		277-35101-03	PIN (CAM SHAFT)	1	PC.	
3		2		277-35101-01	PIN(CAM SHAFT)COM	1	PC.	
3			INC.	277-35101-03	PIN (CAM SHAFT)	1	PC.	
3			INC.		Item No. 37			

Diagram								
Page No.	Item No.	Type	Sub	Part No.	Description (* See Service Changes on the bottom)	Qty	Unit	
3	37			024-00600-10	O RING 5.8DX9.6D	1	PC.	
3	38			277-38601-03	PIN(SPRING) 4DX8DX9L	1	PC.	
3	39			279-36401-03	RELEASE LEVER	1	PC.	
3	40			277-36501-03	CLIP 13.8DX20.3DX0.4T	1	PC.	
3	41			279-38701-13	RETURN SPRING	1	PC.	
3	42			279-33601-03	VALVE SPING	2	PC.	
3	43			269-33701-03	SPRING RETAINER	2	PC.	
3	44			279-33401-H3	INTAKE VALVE 28.5DX5.5DX67.8L	1	PC.	
3	45			279-33501-H3	EXHAUST VALVE 26.5DX5.5DX67.8L	1	PC.	
3	46			132-10KA0-31	COLLET VALVE	4	PC.	
3	47	1		279-35601-11	TIMING CHAIN COMPLETE - N/L/A	1	PC.	
3		2		279-35602-H1	TIMING CHAIN COMPLETE	1	PC.	
3	48			277-36911-03	TENSIONER	1	PC.	
3	49			277-37101-03	SPRING(TENSIONER)	1	PC.	
3	50			277-36902-03	PIN(TENSIONER) 6DX13DX34L	1	PC.	
3	51			277-36913-13	CHAIN GUIDE	1	PC.	
3	52	1		277-35002-01	PIN(ROCKER) COM - N/L/A	1	PC.	
3			INC.		Item No.53			
3		2		277-35004-01	PIN(ROCKER) COM	1	PC.	
3			INC.		Item No.53			
3	53			003-13050-00	CLIP	1	PC.	
3	54			277-36201-00	LOCKER ARM(INTAKE) ASS'Y	1	PC.	
3			INC.		Item No.56,58			
3	55			277-36202-00	ROCKER ARM(EXHAUST)ASS'Y	1	PC.	
3			INC.		Item No.57,59			
3	56			014-90500-20	ADJUST SCREW M5X23	1	PC.	
3	57			014-90500-20	ADJUST SCREW M5X23	1	PC.	
3	58			017-00500-30	NUT M5	1	PC.	
3	59			017-00500-30	NUT M5	1	PC.	
3	60			011-00600-20	FLANGE BOLT M6X1.0X14DX12L	1	PC.	
4	61			277-48601-03	PIN(BLIND)	1	PC.	
4	62			003-13050-00	CLIP	1	PC.	
5	63			279-79261-11	FLYWHEEL COMPELTE	1	PC.	
6	64			279-79431-01	IGNITION COIL COMPLETE	1	PC.	
5	65			267-71002-03	RING GEAR	1	PC.	
6	66			001-14062-50	BOLT & WASHER ASS'Y	2	PC.	
6	67			279-73105-H1	WIRE 5	1	PC.	
6	69			065-50002-70	SPARK PLUG CAP	1	PC.	
7	70			279-70502-00	STARTING MOTOR ASSEMBLY	1	PC.	
7			INC.		Item No.71-90			
7	71			209-70550-08	YOKE COMPLETE	1	PC.	
7			INC.		Item No.72			
7	72			209-70551-08	BRUSH	4	PC.	
7	73			209-70545-08	BRUSH SPRING	4	PC.	
7	74			209-70530-08	BRUSH HOLDER	1	PC.	
7	75			209-70552-08	INSULATOR	1	PC.	
7	76			209-70554-08	ARMATURE ASSEMBLY	1	PC.	
7	77			209-70521-08	OVER RUNNING CLUTCH	1	PC.	
7			INC.		Item No.78			
7	78			234-70555-08	PINION STOPPER	1	PC.	
7	79			279-70550-08	HOUSING COMPLETE	1	PC.	
7			INC.		Item No.90			
7	80			209-70505-18	FRAME COMPLETE	1	PC.	
7			INC.		Item No.81			
7	81			209-70510-08	BUSH	1	PC.	

Diagram								
Page No.	Item No.	Type	Sub	Part No.	Description (* See Service Changes on the bottom)	Qty	Unit	
7	82			209-70525-08	LEVER	1	PC.	
7	83			279-70515-08	MAGNET SWITCH COMPLETE	1	PC.	
7	84			209-70557-18	SNAP RING	1	PC.	
7	85			209-70558-08	THROUGH BOLT	2	PC.	
7	86		1	949-29970-02	NUT - N/L/A	2	PC.	
7			2	4929970-02	NUT	2	PC.	
7	87			209-70560-08	NUT	1	PC.	
7	88			107-70652-08	SPRING WASHER	1	PC.	
7	89			211-70584-08	NUT	1	PC.	
7	90			209-70511-08	BUSH	1	PC.	
7	91			002-18080-00	NUT	1	PC.	
7	92			003-20080-00	SPRING WASHER	1	PC.	
7	93			279-76511-11	BRACKET (SEL) COMPLETE	1	PC.	
7	94			214-79007-01	BOLT,STARTER	2	PC.	
7	95			011-00600-20	FLANGE BOLT M6X1.0X14DX12L	3	PC.	
7	96			003-10080-00	WASHER	2	PC.	
8	97		1	279-76301-31	OIL SENSOR COM - N/L/A	1	PC.	
8			2	279-76301-41	OIL SENSOR COM	1	PC.	
8			3	279-76301-51	OIL SENSOR COM	1	PC.	
8	98			001-14061-60	BOLT & WASHER ASS'Y	1	PC.	
8	99			013-00602-60	BOLT AND WASHER ASSEMBLY	1	PC.	
8	100			279-75501-03	WIRE CLAMP	1	PC.	
8	101			015-20600-50	TAPPING BOLT	1	PC.	
1	102			010-50802-90	MUFFLER STUD	1	PC.	
1	103			010-50804-40	STUD M8X120L	1	PC.	
1	104			277-87001-03	COVER(CRANKSHAFT)	1	PC.	
1	105			011-00801-50	FLANGE BOLT M8X12L	2	PC.	
1	106			33D-35001-11	BOTTOM EXT. PLATE CP	1	PC.	
1	107			011-00802-70	FLANGE BOLT M8X33L	2	PC.	
1	108			011-00801-50	FLANGE BOLT M8X12L	2	PC.	
3	109			279-30402-11	MUFFLER CP	1	PC.	
3	110			33D-52601-03	BAFFLE	1	PC.	
3	111			011-00802-70	FLANGE BOLT M8X33L	2	PC.	
3	112			002-38080-00	FLANGE NUT	2	PC.	
3	113			011-00803-20	FLANGE BOLT	1	PC.	
3	114			011-00600-10	FLANGE BOLT M6X1.0X14DX8L	1	PC.	
3	115			277-35201-13	GASKET(MUFFLER)	2	PC.	
3	116			980-20082-80	FLANGE NUT M8	2	PC.	
3	117			279-39201-03	FLANGE	1	PC.	
3	118			277-37210-03	TAIL SCREEN COVER	1	PC.	
3	119			277-37220-03	SCREEN	1	PC.	
3	120			004-35051-60	SCREW ASS'Y	1	PC.	
3	121			002-18050-00	NUT M5	1	PC.	
3	122			279-37603-01	SPARK ARRESTER CP	1	PC.	
3	123		1	279-32622-00	AIR CLEANER ASSEMBLY	1	PC.	
3			INC.		Item No.124-127			
3			2	279-32622-10	AIR CLEANER ASSEMBLY	1	PC.	
3			INC.		Item No.124-127			
3	124		1	279-32635-08	CLEANER BODY COMPELTE	1	PC.	
3			2	279-32635-18	CLEANER BODY COMPELTE	1	PC.	
3	125		1	279-32650-08	GASKET	1	PC.	
3			2	279-32650-18	GASKET	1	PC.	
3	126			279-32646-08	COVER COMPLETE	1	PC.	
3	127			279-32612-08	FILTER	1	PC.	
3	128			002-38060-00	FLANGE NUT M6	2	PC.	

Diagram								
Page No.	Item No.	Type	Sub	Part No.	Description (* See Service Changes on the bottom)	Qty	Unit	
3	129	1		279-32760-08	RUBBER PIPE - N/L/A	1	PC.	
3		2		085-10800-00	RUBBER PIPE	1	PC.	
3	130	1		279-32910-03	INSULATOR	1	PC.	
3		2		279-32910-13	INSULATOR	1	PC.	
3	131			279-35902-J3	GASKET1(INSULATOR)	1	PC.	
3	132			279-35903-J3	GASKET2(INSULATOR)	1	PC.	
3	133			279-39004-01	BRACKET (A/C) COMPLETE	1	PC.	
3	134			011-00600-50	FLANGE BOLT	1	PC.	
3	135			011-00601-50	FLANGE BOLT	1	PC.	
5	136			279-52001-23	BLOWER HOUSING	1	PC.	
5	137			001-14063-00	BOLT AND WASHER ASS'Y	1	PC.	
5	138			001-14066-00	BOLT AND WASHER ASSEMBLY	4	PC.	
5	139			980-40081-10	STR PIN 8X10	2	PC.	
5	140	1		277-50401-10	RECOIL STARTER ASSY - N/L/A	1	PC.	
5			INC.		Item No.141,142,A02,144-148			
5		2		277-50401-20	RECOIL STARTER ASSY	1	PC.	
5			INC.		Item No.141,142,A02,144-148			
5		3		277-50401-30	RECOIL STARTER ASSY - N/A	1	PC.	
5			INC.		Item No.141,142,A02,144-148			
5		4		277-50401-40	RECOIL STARTER ASSY	1	PC.	
5			INC.		Item No.141,142,A02,144-148			
5	141			277-50402-08	SPIRAL SPRING	1	PC.	
5	142			277-50403-08	REEL	1	PC.	
5	144	1		277-50409-08	STARTER KNOB	1	PC.	
5		2		277-50409-18	STARTER KNOB	1	PC.	
5	145			277-50404-08	RACHET	1	PC.	
5	146			277-50405-08	FRICTION SPRING	1	PC.	
5	147			277-50407-08	FRICTION PLATE	1	PC.	
5	148			277-50406-08	RETAINING RING	1	PC.	
5	149			011-00601-40	FLANGE BOLT M6X18L	3	PC.	
5	150			279-54110-03	COOLING BLOWER	1	PC.	
5	151			279-52702-13	BAFFLE2(HEAD)	1	PC.	
5	152			011-00600-20	FLANGE BOLT M6X1.0X14DX12L	1	PC.	
5	153			277-24401-03	DRIVING SHAFT	1	PC.	
5	154			011-01001-10	FLANGE BOLT M8X27L	4	PC.	
3,9	155	1		279-62330-00	* CARBURETOR ASSEMBLY	1	PC.	
3,9			INC.		Item No.156-190			
3,9		2		279-62330-10	* CARBURETOR ASSEMBLY	1	PC.	
3,9			INC.		Item No.156-190,332			
9	156			279-62535-08	THROTTLE VALVE	1	PC.	
9	157			251-62450-08	SCREW	2	PC.	
9	158			279-62526-08	VALVE CHOKE	1	PC.	
9	159			251-62450-08	SCREW	2	PC.	
9	160			279-62420-08	JET, SLOW	1	PC.	
9	161			279-62521-08	CHOKE LEVER	1	PC.	
9	162	1		279-62531-08	* THROTTLE SHAFT	1	PC.	
9		2		279-62531-18	* THROTTLE SHAFT	1	PC.	
9	163			251-62453-08	SCREW	1	PC.	
9	164			279-62500-08	VALVE ASSEMBLY, NEEDLE	1	PC.	
9	165			279-62515-08	PIN, FLOAT LEVER	1	PC.	
9	166			279-62553-08	FLOAT BODY	1	PC.	
9	167			251-62350-08	GASKET	1	PC.	
9	168			279-62540-08	GASKET,CHAMBER	1	PC.	
9	169			279-62505-08	FLOAT SUB ASSEMBLY	1	PC.	
9	170			279-62400-08	JET, MAIN	1	PC.	

Diagram

Page No.	Item No.	Type	Sub	Part No.	Description (* See Service Changes on the bottom)	Qty	Unit
9	171			284-62456-08	SCREW	1	PC.
9	172			279-62447-08	SPRING(CHOKE)	1	PC.
9	173			279-62581-08	SCREW	1	PC.
9	174			279-62353-18	SCREW, ADJUSTING	1	PC.
9	175			279-62445-08	SPRING	1	PC.
9	176			279-62561-08	BUSH	1	PC.
9	177			279-62565-08	COLLAR	2	PC.
9	178		1	284-62315-08	* SPRING(THROTTLE)	1	PC.
9			2	279-62449-18	* SPRING(THROTTLE)	1	PC.
9	179			279-62590-08	VINYL PIPE	1	PC.
9	180			279-62452-08	O-RING	1	PC.
9	181			279-62451-08	O-RING	1	PC.
9	182			284-62580-08	MOTOR	1	PC.
9	183		1	284-62576-08	* BRACKET(MOTOR)	1	PC.
9			2	284-62576-18	* BRACKET MOTOR	1	PC.
9	184			277-62595-08	COVER(MOTOR)	1	PC.
9	185			284-62458-08	SCREW	2	PC.
9	186			284-62457-08	SCREW	2	PC.
9	187		1	284-62555-08	* JOINT LEVER	1	PC.
9			2	279-62600-08	* JOINT LEVER	1	PC.
9	188		1	284-62446-08	* SPRING	1	PC.
9			2	284-62446-18	* SPRING	1	PC.
9	189			279-62575-08	BRACKET	1	PC.
9	190			279-62580-08	SCREW	3	PC.
7	191			056-60002-50	CLAMP	1	PC.
10	192			33D-22354-01	STATOR ASSY	1	PC.
10	193			32D-23052-01	BOLT	2	PC.
10	194			33D-21161-01	ROTOR	1	PC.
10			INC.		Item No.195		
10	195			32D-21001-08	BALL BEARING	1	PC.
10	196			33D-21053-08	ROTOR BOLT M10X185L	1	PC.
10	197			33D-23061-01	STATOR COVER	1	PC.
10	198			32D-23073-01	REAR COVER	1	PC.
10	199			33D-21051-08	STATOR BOLT M6X115L	4	PC.
10	200			33B-23051-01	END COVER	1	PC.
10	201			32B-21055-08	BOLT AND WASHER ASS'Y	2	PC.
10	202			32D-23101-01	BRUSH COMPLETE	1	PC.
10	203			32D-21062-08	SCREW M5X18L	1	PC.
10	204			33B-23001-00	AVR ASSEMBLY	1	PC.
10	205			32B-21051-08	SCREW	4	PC.
10	206			32D-23121-01	DIODE CP	1	PC.
10	207			32B-21052-08	SCREW	1	PC.
10	208			32D-21052-08	BASE	1	PC.
10	209			32D-21061-08	BOLT	2	PC.
10	210			32D-21051-08	NUT M5	4	PC.
10	211			32D-21053-08	WASHER	2	PC.
10	212			32D-21054-08	SPRING WASHER	4	PC.
10	213			32D-21060-08	CLAMP	1	PC.
10	214			32B-21053-08	SCREW	1	PC.
10	215			003-30050-00	LOCK WASHER	1	PC.
10	216			32B-45002-03	GROMMET	1	PC.
11	217		1	33D-30001-11	FRAME COMPLETE	1	PC.
11			2	33D-30101-01	FRAME COMPLETE	1	PC.
11	218			33B-35602-01	BATTERY BASE	1	PC.
11	219			011-00600-80	FLANGE BOLT M6X12L	2	PC.

Diagram

Page No.	Item No.	Type	Sub	Part No.	Description (* See Service Changes on the bottom)	Qty	Unit
11	220			32B-30213-01	MOUNT COMPLETE(R)	1	PC.
11	221			32B-30214-01	MOUNT COMPLETE(L)	1	PC.
11	222			32B-30203-01	MOUNT COMPLETE(R) 35L	1	PC.
11	223			32B-30204-01	MOUNT COMPLETE (L) 35L	1	PC.
11	224			002-38080-00	FLANGE NUT	4	PC.
11	225			002-38080-00	FLANGE NUT	4	PC.
11	226			34B-48091-01	EARTH WIRE	1	PC.
11	227			014-00601-21	SCREW	1	PC.
11	228			33B-58001-01	BATTERY BAND	1	PC.
11	229			33B-48072-11	BATTERY WIRE COMPLETE	1	PC.
11	230			33D-35701-03	BATTERY COVER	1	PC.
12	231			33B-50002-01	FRONT COVER (UPPER) COMPLETE	1	PC.
12	232			015-00400-70	TAPPING SCREW	2	PC.
12	233			015-00400-70	TAPPING SCREW	1	PC.
12	234			33B-46001-03	COVER (COCK)	1	PC.
12	235			003-10040-00	WASHER	2	PC.
12	236			33B-46012-11	BRACKET(COCK)	1	PC.
12	237			33B-46033-01	COVER PLATE CP	1	PC.
11,12	238			33B-47202-01	REGULATOR CP	1	PC.
11,12	239			33B-35801-02	BRACKET(REG.)UNIT	1	PC.
11,12	240			011-00600-50	FLANGE BOLT	2	PC.
12	241	1		33B-48005-01	WIRE HARNESS CP - N/A	1	PC.
12		2		33B-48005-11	WIRE HARNESS CP	1	PC.
12	242			33B-48062-01	WIRE HARNESS CP	1	PC.
12	243			34B-57311-03	SEAL,SPONGE FC2	1	PC.
12	244			353-49904-08	TAPPING SCREW(M4X10MM)	6	PC.
12	245	1		33D-45C85-00	CONTROL PANEL ASSY - N/A	1	PC.
12			INC.		Item No.241,246-249,251,253-263,271-288		
12		2		33D-45C85-10	CONTROL PANEL ASSY	1	PC.
12			INC.		Item No.241,246-249,251,253-263,271-288		
12	246			33B-45016-01	PANEL PLATE CP	1	PC.
12	247			33B-49132-13	SHEET(PANEL AS)32	1	PC.
12	248			066-00003-30	KEY SWITCH ASS'Y	1	PC.
12			INC.		Item No.249		
12	249			066-00099-80	KEY(2PCS)	2	PC.
12	250	1		34K-41812-03	ROCKER SWITCH	1	PC.
12		2		33B-40007-08	ROCKER SWITCH	1	PC.
12	251			33B-47303-01	SWITCH ASSY	1	PC.
12	252			34K-41813-03	SWITCH COVER	1	PC.
12	253	1		391-47000-03	AC RECEPTACLE (125V-20A) - N/L/A	1	PC.
12		2		33K-49950-01	AC RECEPTACLE (125V-20A)	1	PC.
12	254			356-45711-08	AC RECEPTACLE (125V-30A)	1	PC.
12	255			353-45724-08	AC RECEPTACLE (120V/240V-20A)	1	PC.
12	256			004-35041-00	SCREW & WASHER ASS'Y	2	PC.
12	257			356-59937-08	SCREW	4	PC.
12	258			002-17040-00	NUT	2	PC.
12	259			003-10040-00	WASHER	2	PC.
12	260			326-00335-08	SPRING WASHER M3.5	4	PC.
12	261	1		KU3-11740-11	MONITOR C/U COM - N/L/A	1	PC.
12		2		KU3-11740-21	MONITOR C/U COM	1	PC.
12	262			013-10400-80	SCREW AND WASHER ASSY	2	PC.
12	263			002-17040-00	NUT	2	PC.
12	264			33K-41811-03	MICRO SWITCH	1	PC.
12	265			33D-46040-03	SPACER(SWITCH)	1	PC.
12	266			33K-42010-03	CONTROL DIAL	1	PC.

Diagram

Page No.	Item No.	Type	Sub	Part No.	Description (* See Service Changes on the bottom)	Qty	Unit
12	267			33K-42020-03	CHOKE REEL	1	PC.
12	268			33K-42030-23	PLATE	1	PC.
12	269			33B-46015-01	BRACKET	1	PC.
12	270			33K-41814-08	TAPPING SCREW M3X16L	2	PC.
12	271			32B-43041-03	CIRCUIT BREAKER	1	PC.
12	272			32B-43166-01	CIRCUIT BREAKER	1	PC.
12	273			32B-43196-01	CIRCUIT BREAKER	1	PC.
12	274			31C-73008-03	CIRCUIT BREAKER	1	PC.
12	275			31B-79011-03	SCREW AND WASHER ASS'Y	8	PC.
12	276			363-45701-08	TERMINAL BOLT (RED)	1	PC.
12	277			363-45700-08	TERMINAL BOLT (BLACK)	1	PC.
12	278			32B-43061-03	SCREW	1	PC.
12	279			388-88001-03	SCREW M5X18	1	PC.
12	280			332-00050-08	SPRING WASHER	1	PC.
12	281			332-00050-08	SPRING WASHER	2	PC.
12	282			353-49903-08	WASHER	1	PC.
12	283			353-49903-08	WASHER	1	PC.
12	284			353-49903-08	WASHER	1	PC.
12	285			353-49902-08	NUT	1	PC.
12	286			003-30050-00	LOCK WASHER	1	PC.
12	287			353-49901-08	WING NUT	1	PC.
12	288			33K-42101-03	PLATE	1	PC.
12	289			33B-46021-01	CHOKE WIRE COMPLETE	1	PC.
12	290			226-45001-03	RETURN SPRING	1	PC.
12	291			014-00601-90	SCREW	4	PC.
12	292			056-30000-20	WIRE BAND	5	PC.
12	293			33D-90012-13	LABEL(TRADE MARK)	1	PC.
12	294			33K-94007-03	LABEL(WARNING)	1	PC.
13	295			33B-50101-01	FRONT COVER (LOWER) COMPLETE	1	PC.
13	296			33B-35501-01	BRACKET (COVER) COMPLETE	1	PC.
13	297			33B-50501-01	REAR COVER (UPPER)	1	PC.
13	298		1	011-00601-80	FLANGE BOLT - N/L/A	3	PC.
13			2	011-00601-40	FLANGE BOLT M6X1.0X14DX18L	3	PC.
13	299			34B-57311-03	SEAL, SPONGE FC2	1	PC.
13	300			33B-56201-01	MUFFER COVER COMPLETE	1	PC.
13	301			33D-56051-01	MUFFLER COVER (L) COMPLETE	1	PC.
13	302			33B-57005-03	SEAL, RUBBER	1	PC.
13	303		1	011-00601-80	FLANGE BOLT - N/L/A	6	PC.
13			2	011-00601-40	FLANGE BOLT M6X1.0X14DX18L	6	PC.
13	304			011-00600-80	FLANGE BOLT M6X12L	1	PC.
13	305			011-00600-80	FLANGE BOLT M6X12L	2	PC.
13	306			011-00600-80	FLANGE BOLT M6X12L	1	PC.
13	307			33B-97132-13	LABEL (TRADE MARK-RC)	1	PC.
13	308			33D-95109-03	LABEL(SPEC)	1	PC.
14	309			33D-60102-11	FUEL TANK COMPLETE	1	PC.
14	310			043-05900-11	FUEL TANK CAP COMPLETE	1	PC.
14	311			064-15400-11	FUEL FILTER	1	PC.
14	312			064-80015-00	FUEL GAUGE COMPLETE	1	PC.
12,14	313			064-20103-00	FUEL STRAINER ASSY	1	PC.
12,14			INC.		Item No.314-317		
14	314			064-20093-20	FILTER	1	PC.
14	315			064-20064-10	RUBBER PACKING	1	PC.
14	316			064-20078-10	CUP	1	PC.
14	317			064-20047-90	PAN HEAD SCREW M3X8	2	PC.
14	318			011-00600-20	FLANGE BOLT M6X1.0X14DX12L	1	PC.

Diagram

Page No.	Item No.	Type	Sub	Part No.	Description (* See Service Changes on the bottom)	Qty	Unit
14	319			011-00602-20	FLANGE BOLT	4	PC.
14	320			085-10608-50	RUBBER PIPE (COCK-CARB)	1	
14	321			085-10700-40	RUBBER PIPE TANK-COCK	1	PC.
14	322			251-17302-03	MESH PROTECTOR	1	PC.
14	323			056-11100-20	HOSE CLAMP 11.5D	1	PC.
14	324			056-11300-10	HOSE CLAMP 13.2D	1	PC.
14	325			056-11300-10	HOSE CLAMP 13.2D	1	PC.
14	326			056-11000-30	HOSE CLAMP	1	PC.
14	327			391-39000-13	RUBBER (TANK)	4	PC.
14	328			33B-97102-13	LABEL (CAUTION)	1	PC.
14	329			377-92500-03	CAUTION LABEL	1	PC.
14	330			377-92502-03	LABEL (CAUTION)	1	PC.
14	331			31G-81027-03	LABEL(NOISE)	1	PC.
	332			284-62447-08	* WASHER (Added)	1	PC.
<u>ACCESSORIES</u>		- See Catalogue or visit www.makita.ca for more optional accessories -					
15	A01			277-90301-H0	ACCESSORY TOOL KIT	1	PC.
5	A02			277-50408-08	STARTER ROPE	1	PC.
6	A03			065-01402-10	SPARK PLUG	1	PC.
	A04			110004-B	WHEEL KIT (SEE PARTS BREAKDOWN 110004-B)	1	PC.

SERVICE CHANGES

1. Changes on Carburetor Assy

Item No.	Description	Type 1	Type 2
155	CARBURETOR ASSEMBLY	279-62330-00	279-62330-10
162	THROTTLE SHAFT	279-62531-08	279-62531-18
178	SPRING(THROTTLE)	284-62315-08	279-62449-18
183	BRACKET(MOTOR)	284-62576-08	284-62576-18
187	JOINT LEVER	284-62555-08	279-62600-08
188	SPRING	284-62446-08	284-62446-18
332	WASHER (Added)		284-62447-08

Item No. 162 - 332 are components of Item No. 155

Above parts are completely interchangeable as a set.